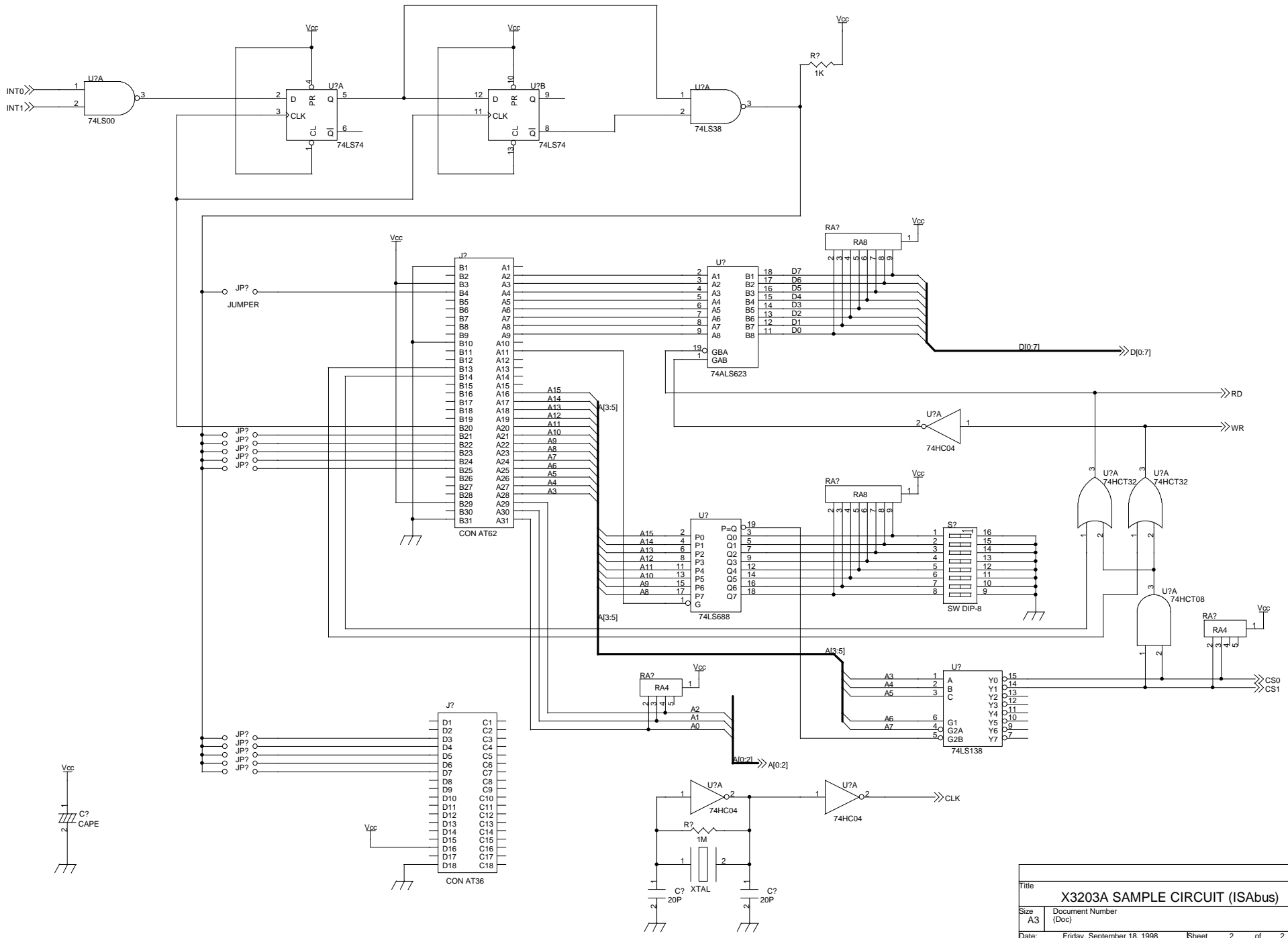


| | | | |
|-------|----------------------------|-------|--------------------------------|
| Title | | | X3203A SAMPLE CIRCUIT (ISAbus) |
| Size | Document Number | | Rev |
| A3 | (Doc) | | A |
| Date | Friday, September 18, 1998 | Sheet | 1 of 2 |



| | | |
|--------------------------------|----------------------------|--------------|
| Title | | |
| X3203A SAMPLE CIRCUIT (ISAbus) | | |
| Size | Document Number | Rev |
| A3 | (Doc) | A |
| Date: | Friday, September 18, 1998 | Sheet 2 of 2 |